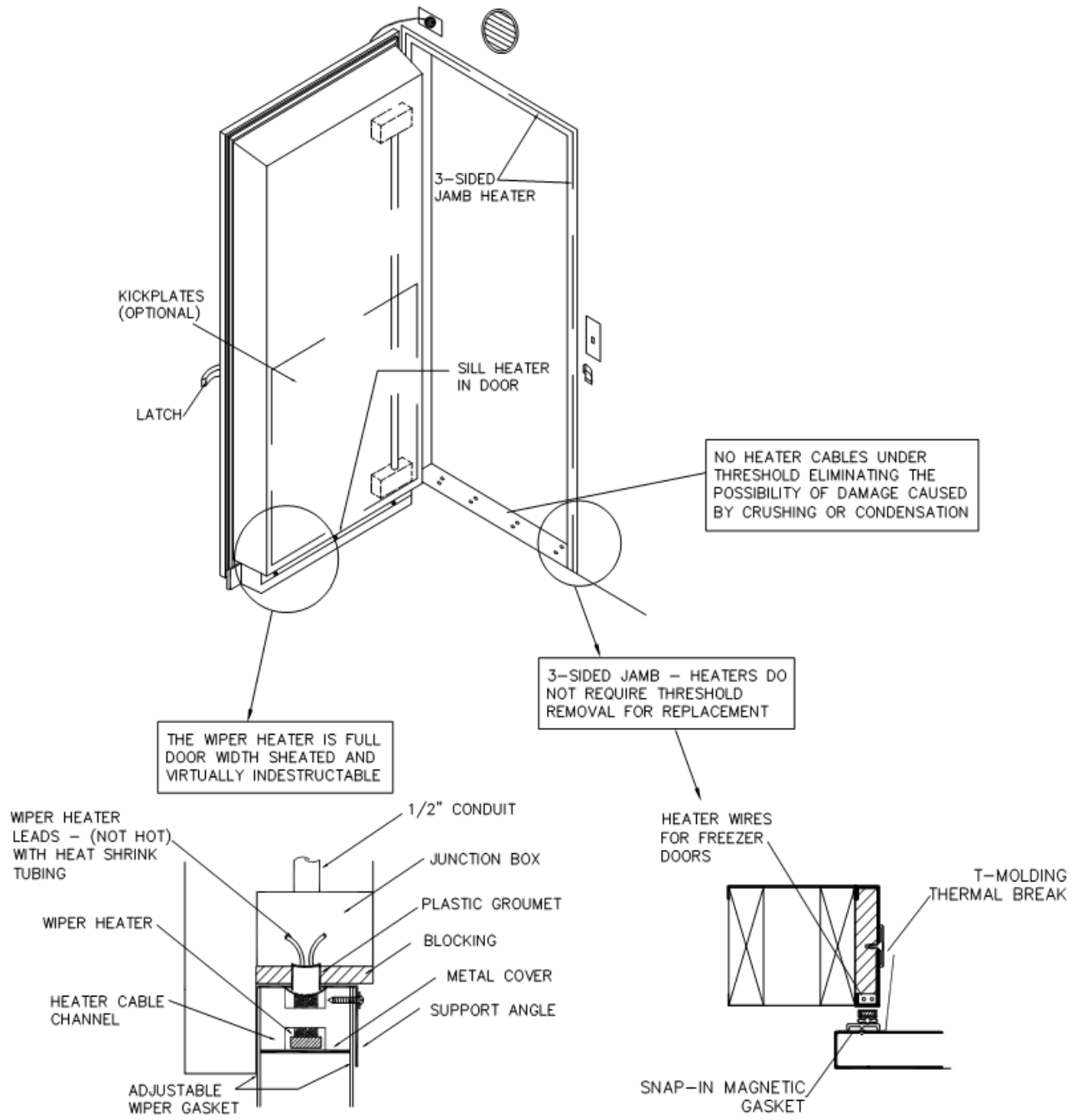


**INSET DOOR &
DOOR SECTION**



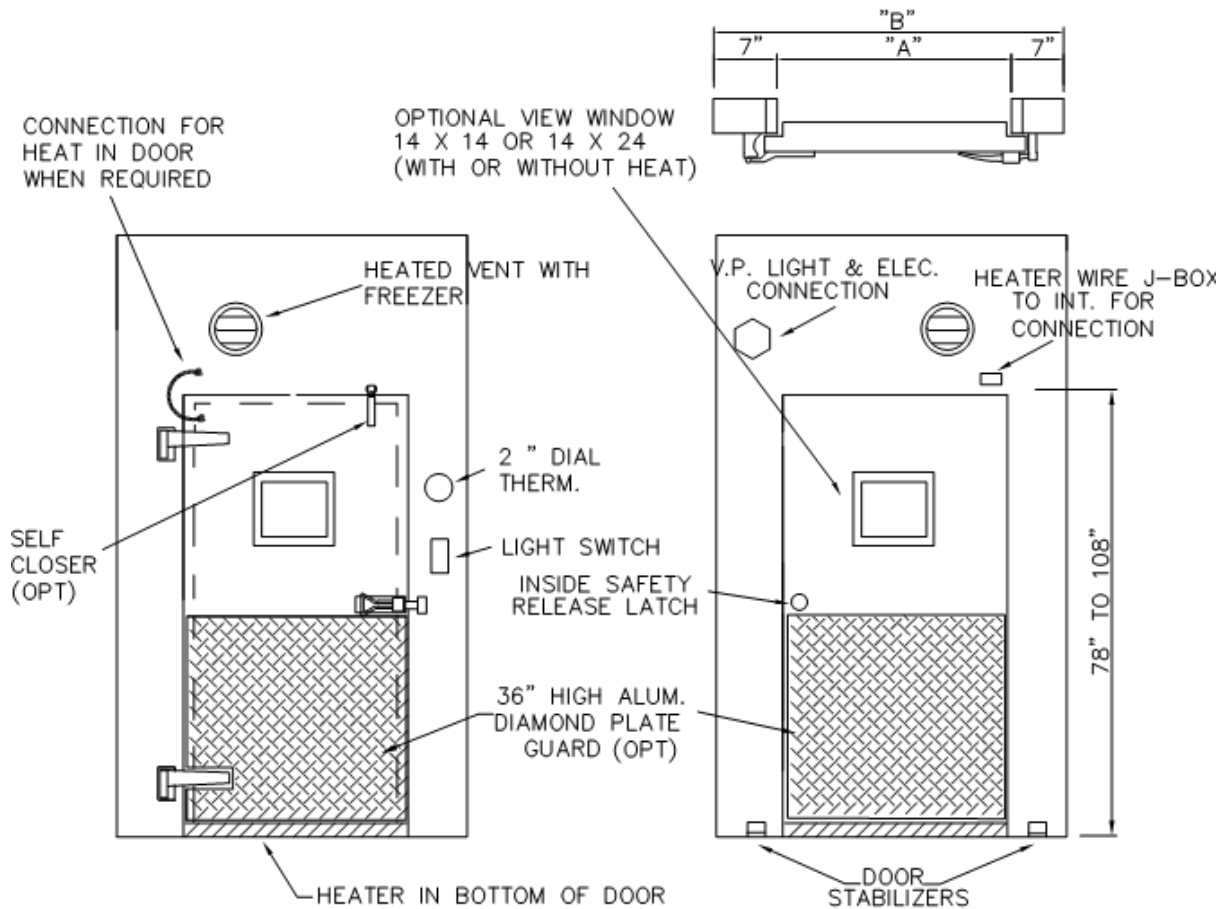
Due to continuous improvement programs, specifications are subject to change without notice.



**SPEC TO INSTALL
WE DO IT ALL**

STANDARD INSET STYLE DOOR

"A" OPENING WIDTH	"B" SECTION WIDTH	1248 HINGES	1277S STRAP HINGES
2'-6"	47	2	-
2'-10"	47	2	-
3'-6"	55	2	-
4'-0"	61	-	2
4'-6"	67	-	2
5'-0"	73	-	3
6'-0"	85	-	4

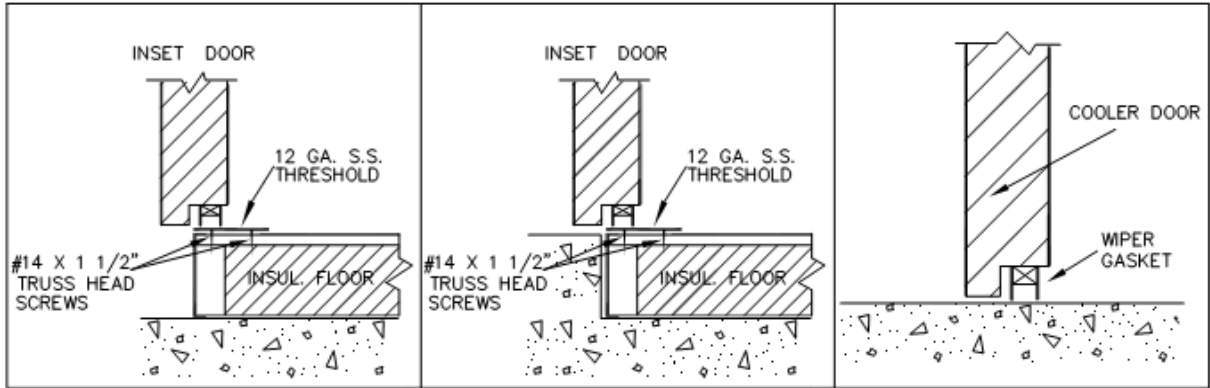


SPECS:

SWEEP AT BOTTOM OF FREEZER DOORS ARE HEATED – THIS REDUCES OPPORTUNITY FOR DAMAGE DUE TO FOOT AND CART TRAFFIC
SWEEPS ARE ADJUSTABLE TO 1/2" – INSTRUCTIONS ON INTERIOR OF DOOR

Due to continuous improvement programs, specifications are subject to change without notice.

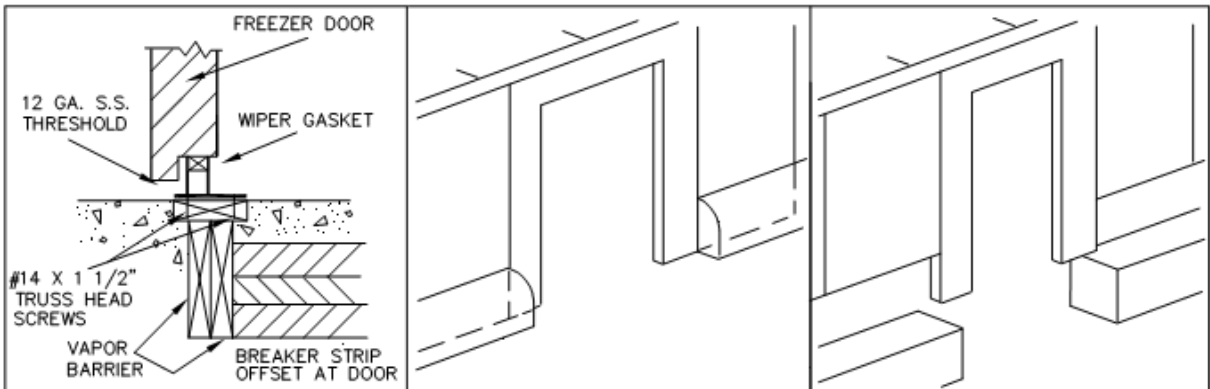
STANDARD INSET SYTLE DOOR



DOOR AT FABRICATED FLOOR— HEATER CABLE IN BOTTOM OF FREEZER DOOR

DOOR AT RECESSED FLOOR— HEATER CABLE IN BOTTOM OF FREEZER DOOR

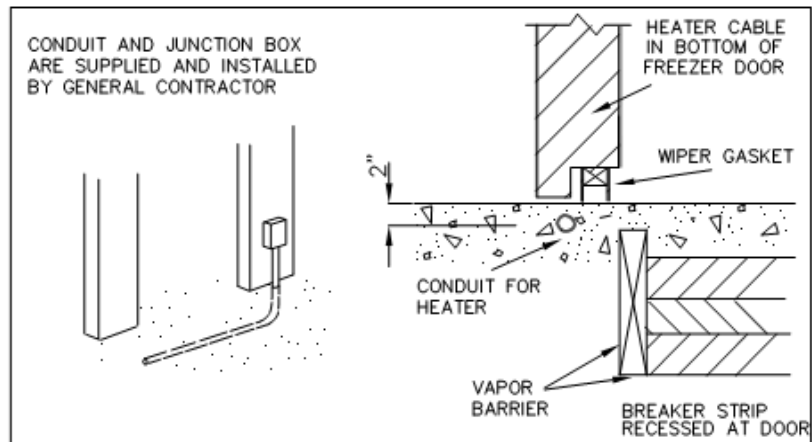
COOLER DOOR ON CONCRETE FLOOR



FREEZER DOOR ON CONCRETE FLOOR HEATER CABLE IN BOTTOM OF DOOR

STANDARD CURB APPLICATION CURBS ARE POURED IN PLACE AFTER WALLS ARE INSTALLED

CURB BLOCKOUT FOR DOOR SECTION WHEN INSULATED WALL IS ON CURB

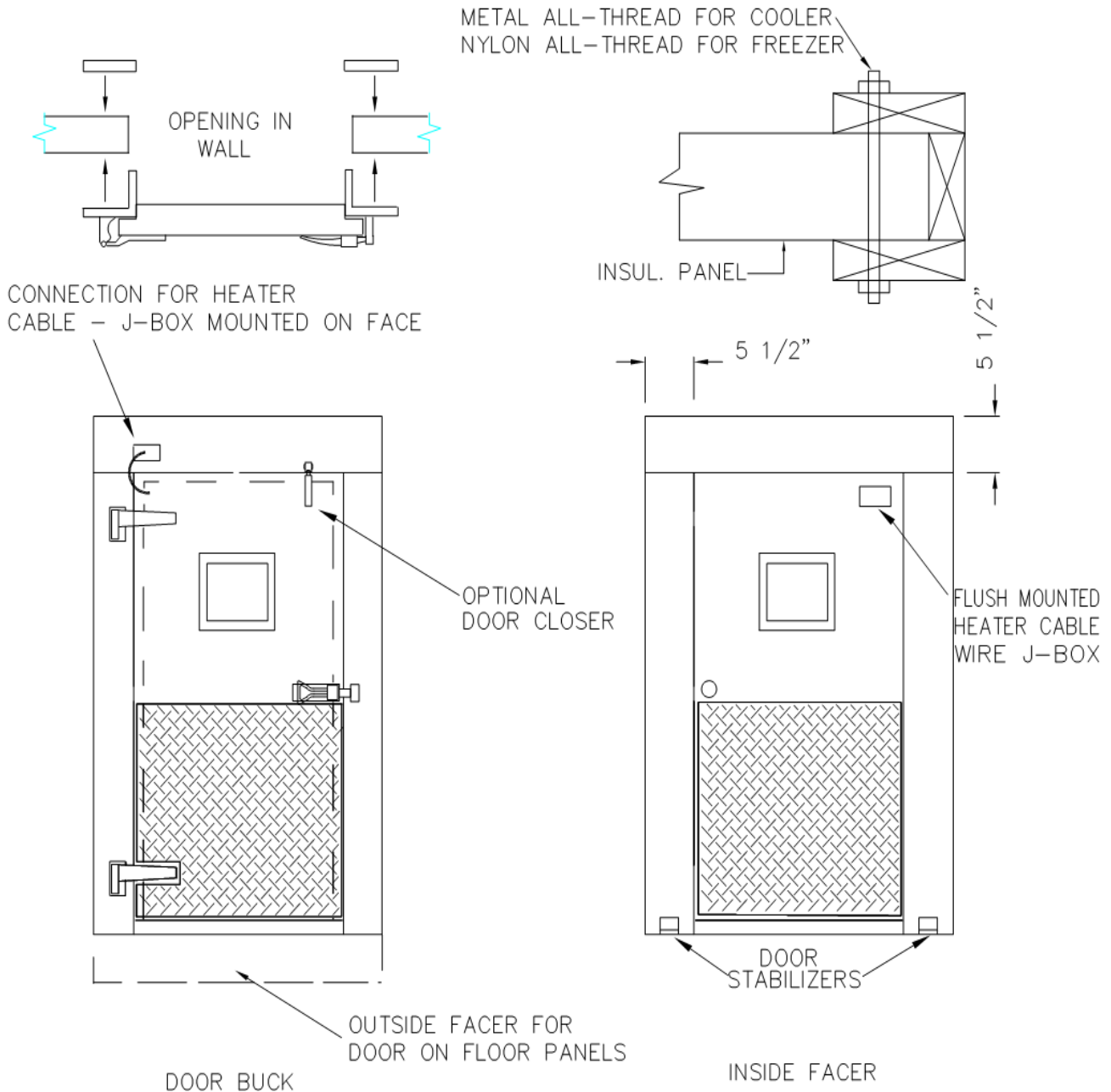


IN SLAB CONDUIT FOR HEATER CABLE

Due to continuous improvement programs, specifications are subject to change without notice.

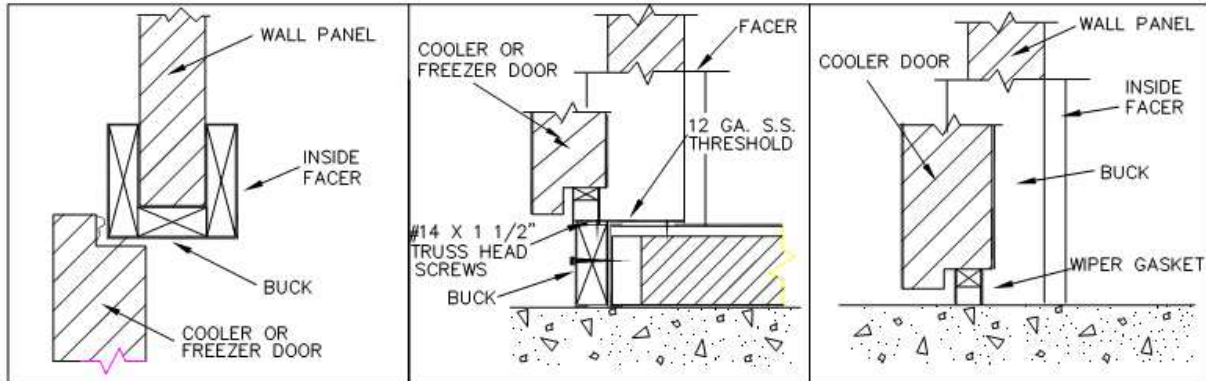
**STANDARD INSET DOOR WITH
BUCK AND INSIDE FACER**

**SEE STANDARD INSET DOOR SECTION
FOR DOOR SIZES**



Due to continuous improvement programs, specifications are subject to change without notice.

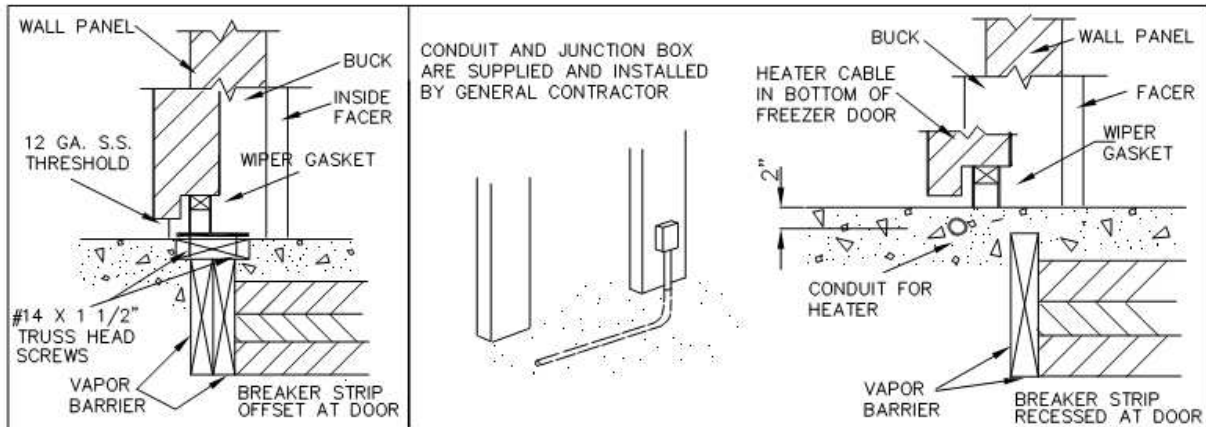
INSET DOOR WITH BUCK AND INSIDE FACER



DETAIL OF DOOR AND BUCK AT TOP OF DOOR JAMBS SIMILAR

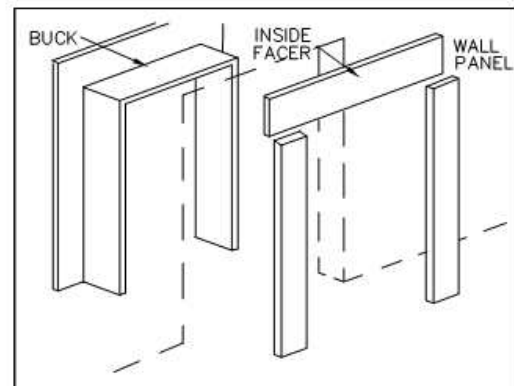
DOOR & BUCK AT FABRICATED FLOOR. HEATER CABLES IN BOTTOM OF FREEZER DOOR

COOLER DOOR AND BUCK ON CONCRETE FLOOR



FREEZER DOOR AND BUCK ON CONCRETE FLOOR- HEATER CABLE IN BOTTOM OF DOOR

IN SLAB CONDUIT FOR HEATER



BUCK ASSEMBLY

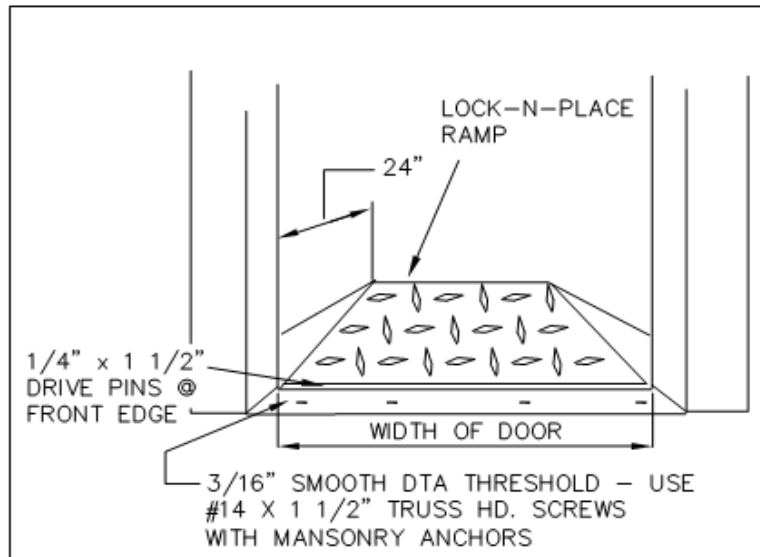
Due to continuous improvement programs, specifications are subject to change without notice.

OPTIONAL RAMPS

OPTIONAL RAMPS

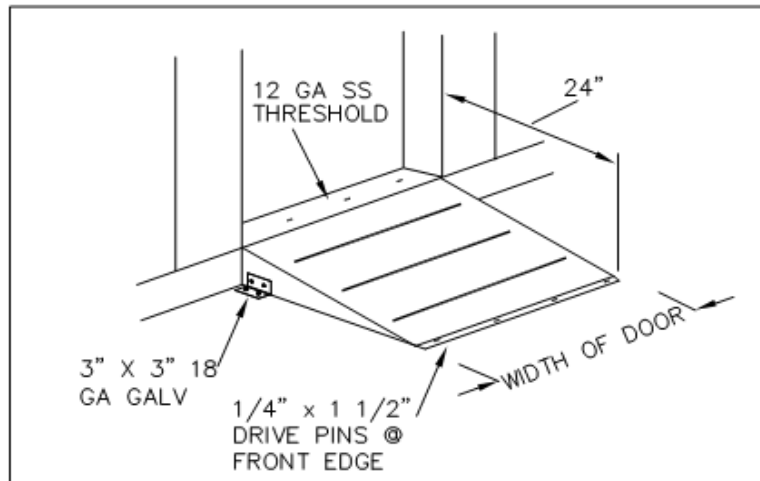
INTERIOR RAMP

RAMP LOCKS IN PLACE AT
BACK – OPTIONAL DTA
PLATE SHOWN



EXTERIOR RAMP

STAINLESS STEEL FINISH
– SHOWN WITH
OPTIONAL NON-SKID STRIPS



STANDARD RAMP FINISH:

.080 LOW PROFILE DTA

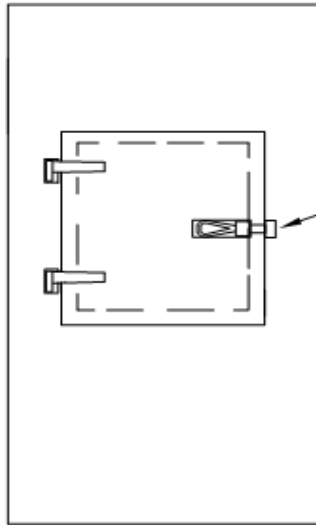
OPTIONAL RAMP FINISHES:

- 12 GA. STAINLESS STEEL –
(USE WITH NON-SKID TAPE)
- 3/16" DIAMOND TREAD ALUMINUM –
(USE WITH 3/16" SMOOTH ALUM. THRESHOLD)

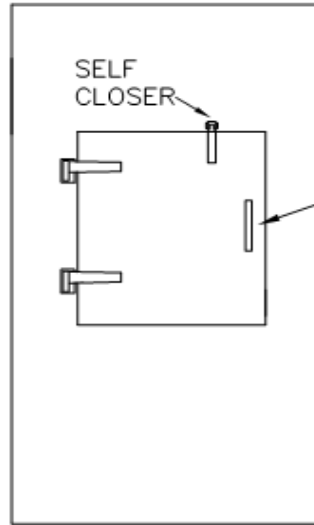
SEAL ALL SIDES AND UNDER
RAMP AND THRESHOLD
COMPLETELY WITH SEALANT

Due to continuous improvement programs, specifications are subject to change without notice.

OPTIONAL REACH-IN DOORS

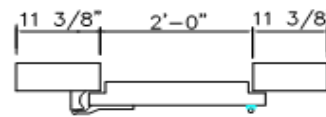
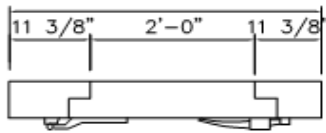


POSITIVE LATCH

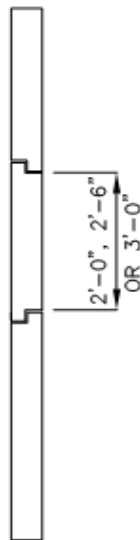


SELF CLOSER

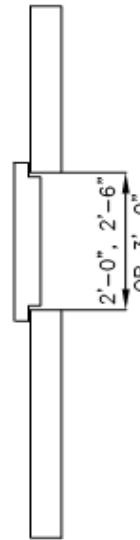
K-382 PULL HANDLE & MAGNETIC GASKET



USE WITH BUCK AND FACER FOR FIELD INSTALLATION



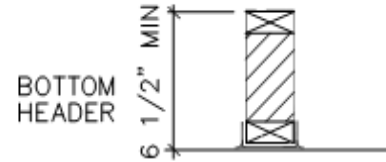
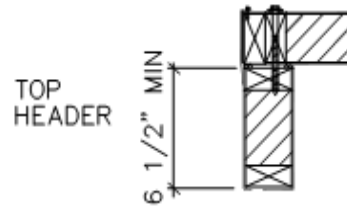
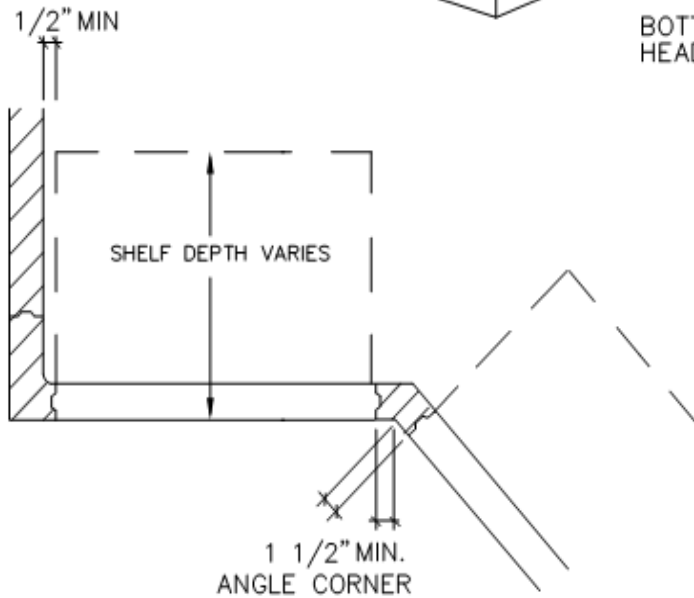
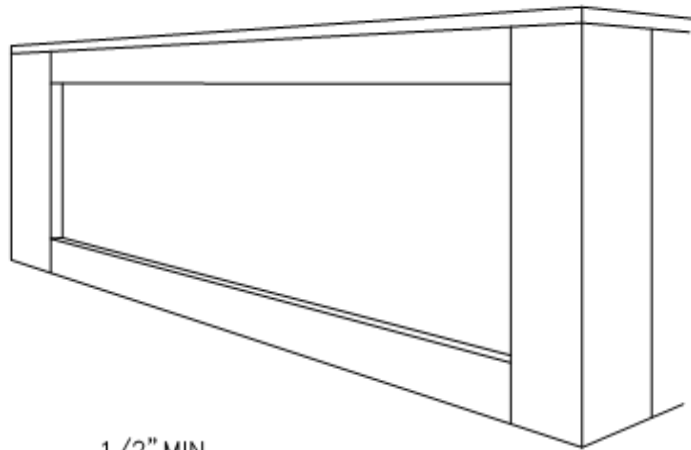
FLUSH MOUNT



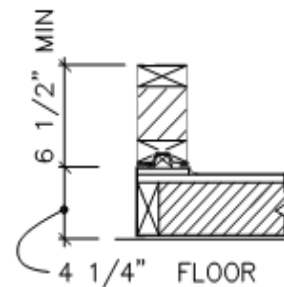
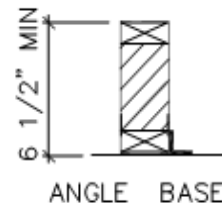
INSET STYLE

Due to continuous improvement programs, specifications are subject to change without notice.

REACH-IN DISPLAY DOORS



PVC BASE CHANNEL



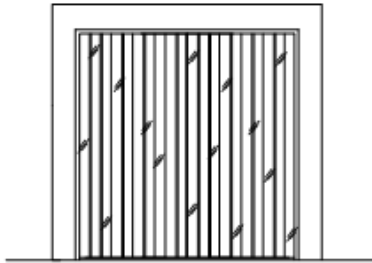
NOTE: HEADER PANELS SMALLER THAN 6 1/2" WILL NOT LOCK TO ADJACENT WALLS AND WILL REQUIRE OTHER MEANS OF FASTENING

Due to continuous improvement programs, specifications are subject to change without notice.

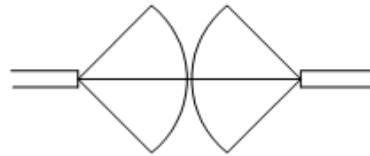
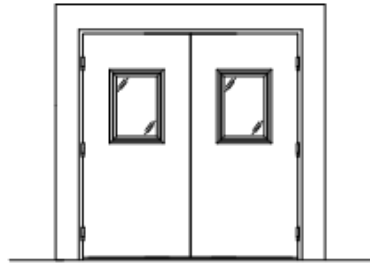


**SPEC TO INSTALL
WE DO IT ALL**

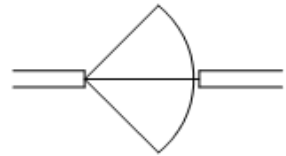
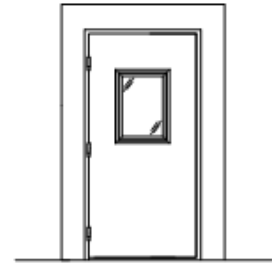
**KPS CAN ALSO SUPPLY OTHER TYPES OF
DOORS IN A VARIETY OF STYLES, AND SIZES**



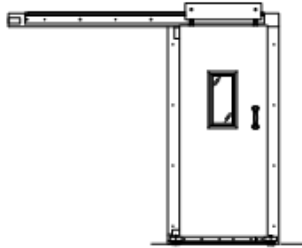
STRIP CURTAINS



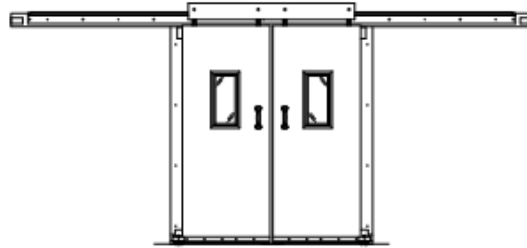
DOUBLE LEAF
DOUBLE ACTING DOORS



SINGLE LEAF
DOUBLE ACTING DOORS



SINGLE SLIDER
MANUAL OR ELECTRIC



DOUBLE SLIDER
MANUAL OR ELECTRIC



VERTICAL LIFT OVERHEAD

NOTE: PER DOE COOLER AND FREEZER DOORS MUST HAVE EQUAL R-VALUE AS WALLS
Due to continuous improvement programs, specifications are subject to change without notice.